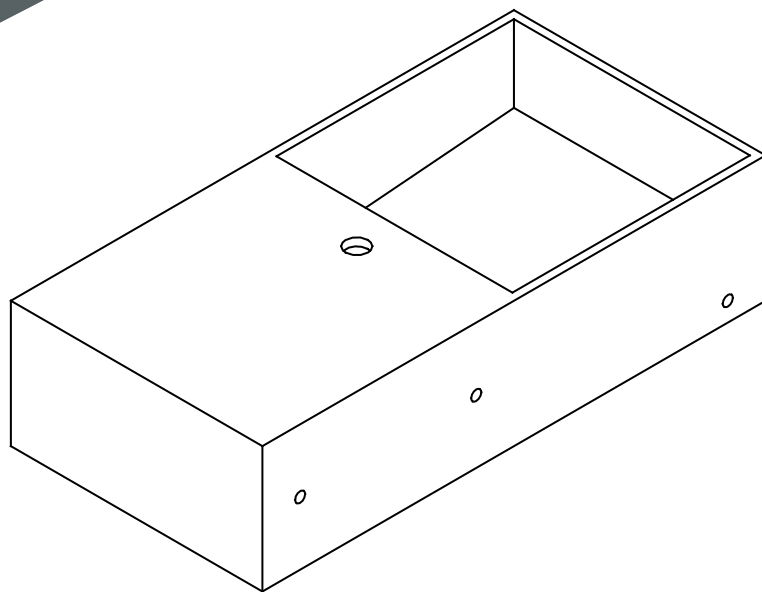
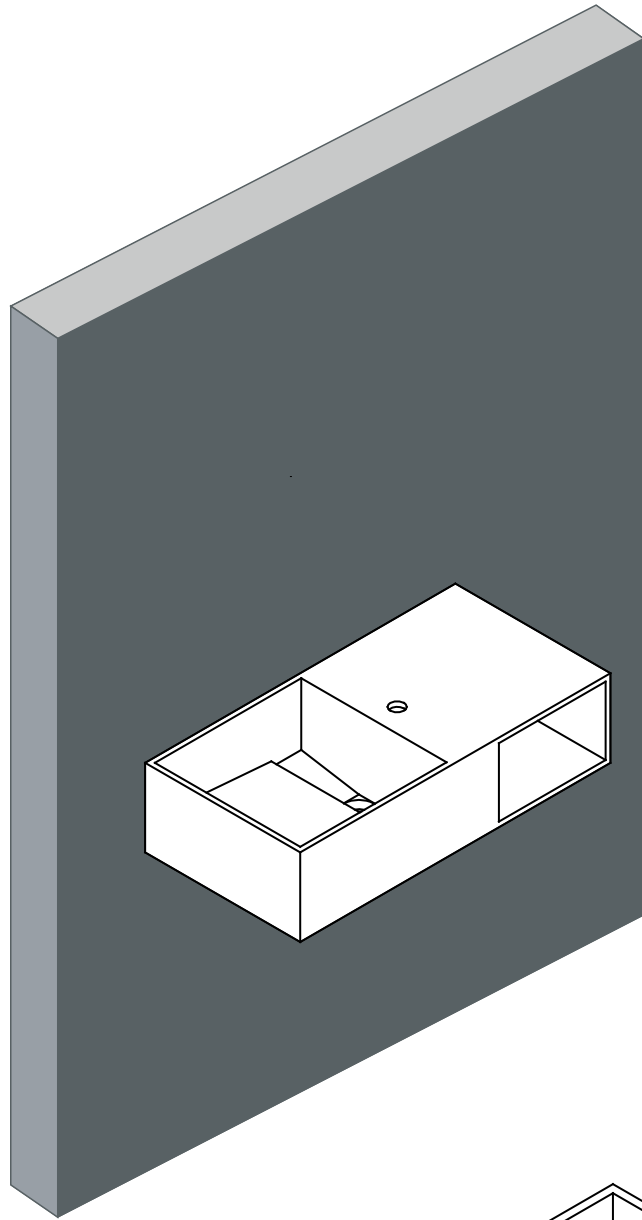
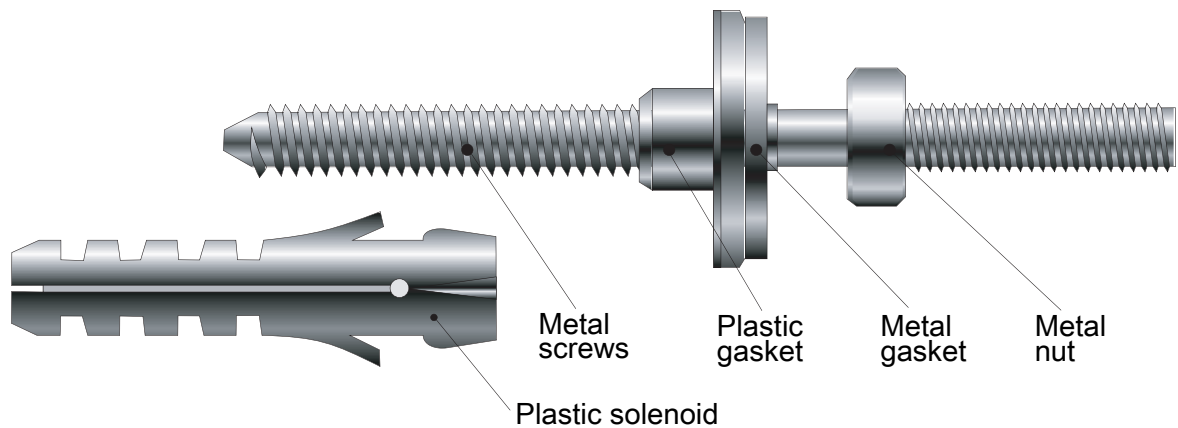


Installation instructions

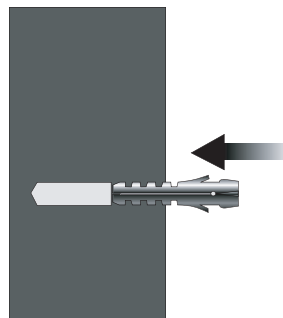




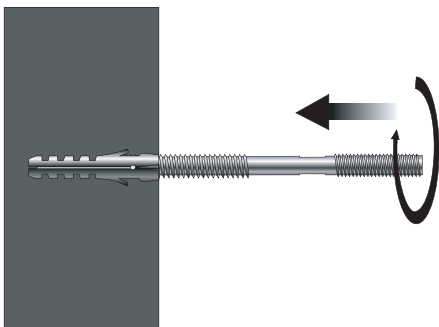
Note: These fixings are suitable for solid walls only. Plasterboard or stud walls may require specialist fixings (not supplied). **Caution:** Care should be taken when drilling walls and floors to avoid any sunken wires or pipes.



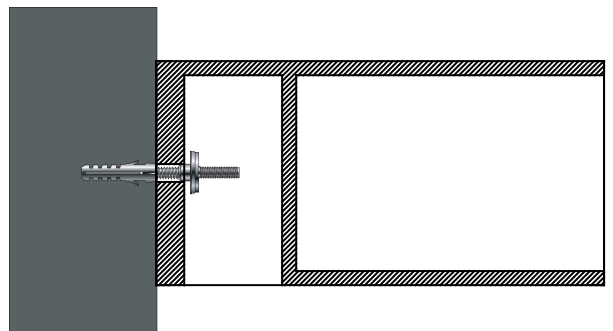
1. Drill three holes in the required position on the wall using a 14mm masonry drill bit, to a depth of 75mm.



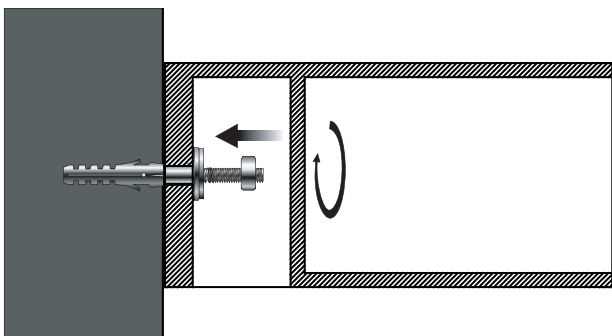
2. Push a wall plug into each hole.



3. Screw a fixing bolt into each fixing plug using a 8 mm spanner until the spanner contacts the wall.



4. Place the basin in position against the wall, locating the fixing bolts through the holes in the rear of the basin. Push a plastic washer, followed by a metal washer, onto each fixing bolt.



5. Screw a metal nut onto each fixing bolt to secure the basin. **Caution:** Do not overtighten, as this may damage the ceramic.

